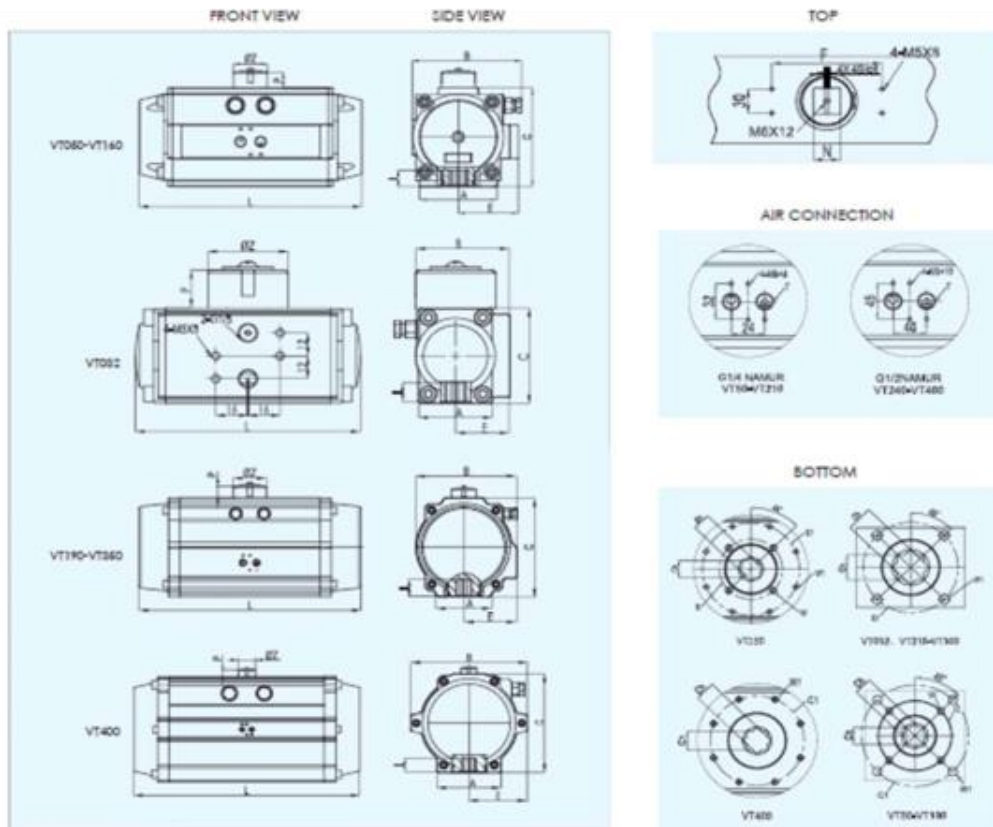




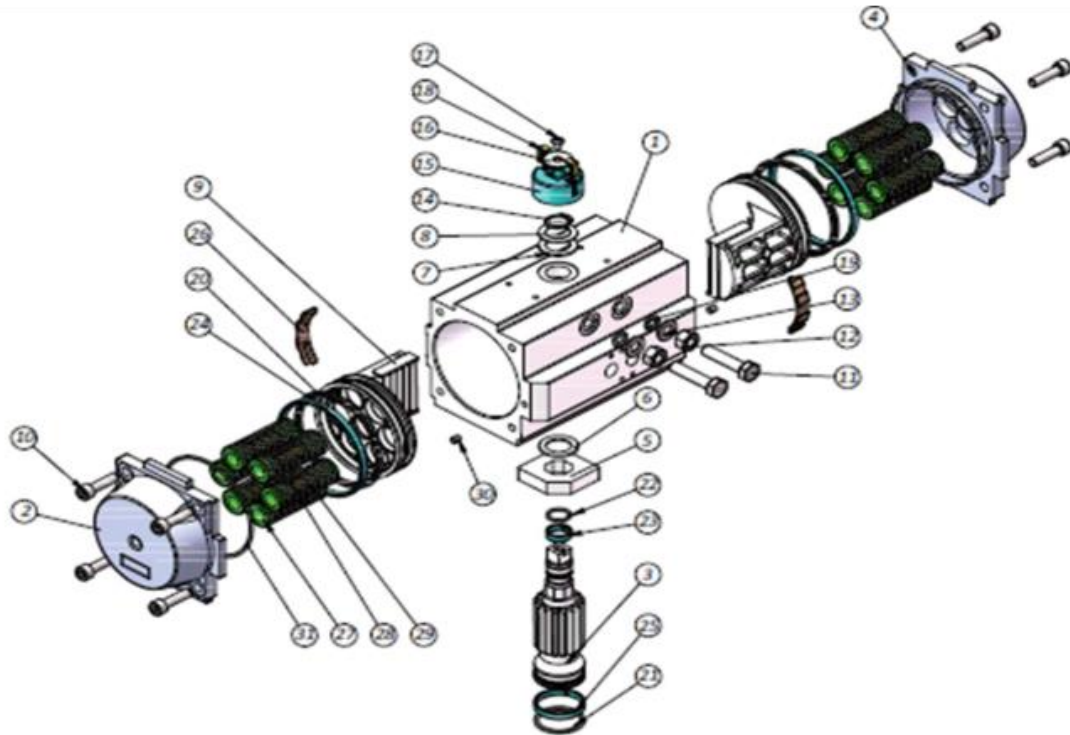
Specificaties	Actuator
Actuator	PSI VT actuator
Klep	Ebro
Max. werkdruk	8 bar
Geproduceerd	ISO 5211/ DIN 3337
Werking	Dubbel werkende
Aansluiting	Namur standaard
Bescherming	IP66

## Vlinderklep pneumatisch met PSI aandrijving

Artikel code	Omschrijving	Bruto prijs:
101 186 040	vkp 040 gy/rvs e (16bar) + PSI VT050	€ 160,95
101 186 050	vkp 050 gy/rvs e (16bar) + PSI VT050	€ 172,85
101 186 063	vkp 063 gy/rvs e (16bar) + PSI VT050	€ 182,95
101 186 075	vkp 075 gy/rvs e (16bar) + PSI VT050	€ 197,50
101 186 090	vkp 090 gy/rvs e (16bar) + PSI VT065	€ 260,60
101 186 110	vkp 110 gy/rvs e (16bar) + PSI VT085	€ 321,30
101 186 125	vkp 125 gy/rvs e (10bar) + PSI VT085	€ 382,35
101 186 160	vkp 160 gy/rvs e (10bar) + PSI VT110	€ 526,20
101 186 200	vkp 200 gy/rvs e (10bar) + PSI VT110	€ 722,50
101 186 250	vkp 250 gy/rvs e (06bar) + PSI VT125	€ 1231,90
101 186 315	vkp 315 gy/rvs e (06bar) + PSI VT140	€ 1750,30



MODEL	A	B	C	L	E	F	P	ØZ	N	I	FLANGE	Q	Q1	W	W1	Ch	T
VT032	37	47	50	110	27	50	20	40	10	10	F03	-	36	-	M5x9	9x9	G1/8"
VT050	45	70.5	70	154	41.5	80	20	40	10	12	F03/05	36	50	M5x7.5	M6x9	11x11	G1/4"
VT065	62	89.5	89	189	51.5	80	20	40	10	16	F05/07	50	70	M6x9	M8x12	14x14	G1/4"
VT075	68	102.5	100	210	59	80	20	40	14	16	F05/07	50	70	M6x9	M8x12	14x14	G1/4"
VT085	68	112.5	113	229	63.5	80	20	40	14	19	F05/07	50	70	M6x9	M8x12	17x17	G1/4"
VT095	92	126	123	264	71	80	20	40	14	19	F05/07	50	70	M6x9	M8x12	17x17	G1/4"
VT110	93	138.5	136	266	76.5	80	20	40	14	19	F07/10	70	102	M8x12	M10x15	17x17	G1/4"
VT125	96	157	161	337	85	80	30	56	22	25	F07/10	70	102	M8x12	M10x15	22x22	G1/4"
VT140	110	178	178	377	97	80	30	56	22	31	F10/12	102	125	M10x15	M12x18	27x27	G1/4"
VT160	112	196	200	412	106	130	30	56	22	31	F10/12	102	125	M10x15	M12x18	27x27	G1/4"
VT190	136	216.5	232	488	112	130	30	56	22	41	F10/14	102	140	M10x15	M16x24	36x36	G1/4"
VT210	140	235.5	255	550	120	130	30	80	32	40	F14	-	140	-	M16x24	36x36	G1/4"
VT240	159	262	292	602	131	130	30	80	32	50	F16	-	165	-	M20x28	46x46	G1/2"
VT270	159	295	331	672	147.5	130	30	80	32	50	F16	-	165	-	M20x28	46x46	G1/2"
VT300	180	335	354	784	173	130	30	80	32	50	F16	-	165	-	M20x28	46x46	G1/2"
VT350	270	385	410	845	195	130	30	80	32	50	F16/F25	165	254	M20x28	M16x30	46x46	G1/2"
VT400	290	520	466	956	260	130	30	80	32	60	F25	-	254	-	M16x30	55x55	G1/2"



Item Number	Part Description	Material Quality	QTY	Item Number	Part Description	Material Quality	QTY	Item Number	Part Description	Material Quality	Qty
1	Body	Aluminium alloy	1	12	Nut(stop screw)	Stainless steel	2	23	Beating(pinion top)	POM+PTFE	1
2	Left End cap	Aluminium alloy	1	13	Washer (stop screw)	Stainless steel	2	24	Beating(pinion head)	POM+PTFE	2
3	Drive shaft	Alloy Steel	1	14	Spring clip	Spring steel	1	25	Beating(pinion bottom)	POM+PTFE	1
4	Right end cap	Aluminium alloy	1	15	Position indicator	Nylon	1	26	Wear band	Nylon	2
5	OCT-CAM	Alloy Steel	1	16	Indicator thrust bearing	Stainless steel	1	27	Spring seat	Nylon	24
6	Thrust bearing (pinion top)	POM+PTFE	1	17	Cap screw	Stainless steel	1	28	Spring	High-carbon steel	12
7	Thrust bearing	POM+PTFE	1	18	Color code	Nylon	2	29	Straining beam	Copper pipe	12
8	Thrust washer	Stainless steel	1	19	"o" ring(stop screw)	NBR	2	30	Plug	NBR	2
9	Pinion	Aluminium alloy	2	20	"o" ring(piston)	NBR	2	31	"o" ring(end cap)	NBR	2
10	Cap screw (end cap)	Stainless steel	8	21	"o" ring(pinion bottom)	NBR	1				
11	Stop top screw	Stainless steel	2	22	"o" ring(pinion top)	NBR	1				

Pletterij 35K, 2211 JT  
Noordwijkerhout  
Telefoon: +31 297 308 889

BTW nummer  
Bankrek. Iban  
KvK 76047199

NL860488330B01  
NL59ABNA0864177348  
Bic ABNANL2A

**PSI International**

www.psbvinternational.nl  
info@psbvinternational.nl