

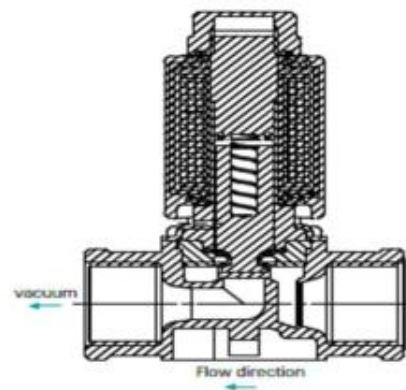
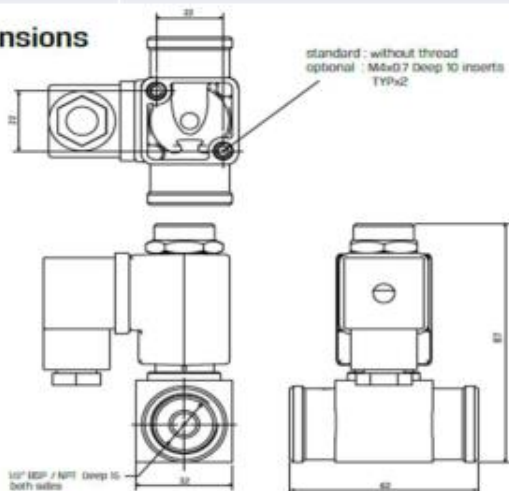


Specificaties	
Materiaal	PVC
Functie	2W NC
Aansluiting	½" BSP
Afdichtingen	EPDM / FPM (viton)
Orifice	8.0 mm

PSI Isolated / Fertilizer solenoid valve ½" BSP

Artikel code	Omschrijving	Bruto prijs:
103 600 115	mk ½" direct operated 24Vac vacuum (-1 to 0.5bar)	€ 167,50
103 600 116	mk ½" direct operated 24Vdc vacuum (-1 to 0.5bar)	€ 167,50
103 600 015	mk ½" direct operated 24Vac pressure (0 to 0.7bar)	€ 167,50
103 600 016	mk ½" direct operated 24Vdc pressure (0 to 0.7bar)	€ 167,50

Dimensions





Specificaties	
Materiaal	PVC
Functie	2W NC
Aansluiting	½" BSP
Afdichtingen	EPDM / FPM (viton)
Orifice	8.0 mm

PSI Isolated / Fertilizer solenoid valve ½" BSP

Technical Data

Function	2 Way NC
Ports size	1/2" BSP & NPT
Orifice size	8mm
Pressure range	See table
Kv (l/min)	18 l/min
Temperature range	Fluid : 5°C to 50°C (no freezing) Ambient : -10°C to 50°C
Materials in contact with media	Manual override: Plastic * Available for vacuum application only Main Valve: PVC Seals: FPM (Viton®), EPDM
Applications	<ul style="list-style-type: none"> • Chemical process • Water treatment • Analysis device etc
Coil voltage	<ul style="list-style-type: none"> • Voltage and power consumption - see table • All Baccara coil voltages are from -5% to ±10% of nominal
Standard protection class	IP65 with connector * Option : IP68 (please refer to GEM-BP coil)

• Supplied with mounting threads on request, please specify

Pressure (bar) table NC

Coil	Flow direction not restricted	Flow direction restricted
AC 8W, DC10W	0 to 0.7 bar	Min dp 0.3 bar

Vacuum (bar) table NC

Coil	Flow direction not restricted	Flow direction restricted
AC 8W	-1 to 0.5 bar	-1 to 0.5 bar
AC 5.5W	-0.5 to 0.5 bar	-0.8 to 0.5 bar
DC 10W	-0.4 to 0.5 bar	-0.6 to 0.5 bar

Voltage & Power Consumption

V	AC (W)						DC (W)		
	50 Hz			60 Hz			10	5.5	3.5
	8	5.5	2.5	8	5.5	2.5			
6							•	•	
12	•	•		•	•		•	•	
24	•	•	•	•	•	•	•	•	
48	•	•		•	•	•	•	•	
110	•	•		•	•	•	•	•	
120	•	•		•	•				
220	•	•	•	•	•	•	•	•	
230	•	•	•	•	•				
240	•	•		•	•		•	•	

Available options :

- Vacuum
- Pressure

Pletterij 35K, 2211 JT
Noordwijkerhout
Telefoon: +31 297 308 889

BTW nummer NL860488330B01
Bankrek. Iban NL59ABNA0864177348
KvK 76047199 Bic ABNANL2A

PSI International

www.psbvinternational.nl
info@psbvinternational.nl