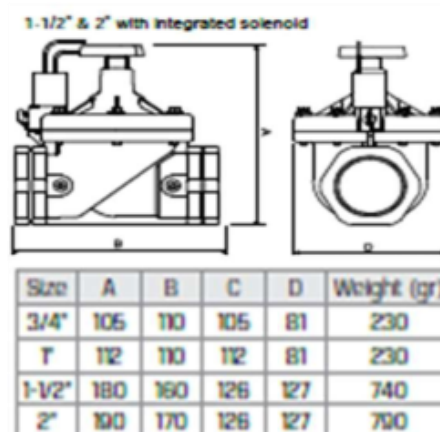
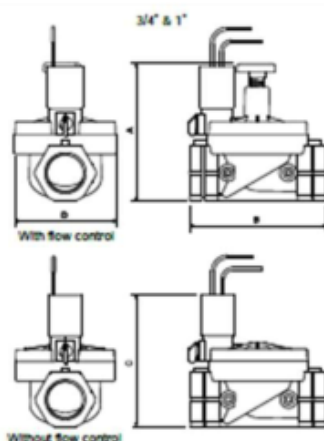


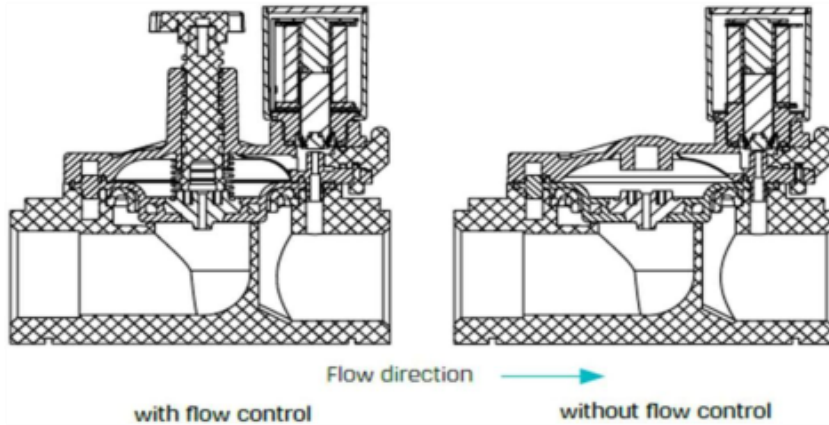


Specificaties	
Model	Recht
Max. druk	10 bar
Werk druk	0.3 – 10 bar
Materiaal	Versterkt polyamide
Pen	AISI 302
Spoel	2.0 / 4.5 Watt
Membraan	NBR

Baccara magneetafsluiter 24Vac/dc incl. flowcontrol recht model

Art.code 24Vac	Art.code 24Vdc	Omschrijving	Bruto prijs:
103 100 020	103 101 020	mk 3.4" baccara 24Vac/dc + fc	€ 39,60
103 100 032	103 101 032	mk 1.0" baccara 24vac/dc + fc	€ 39,60
103 100 040	103 101 040	mk 1.5" baccara 24Vac/dc + fc	€ 82,80
103 100 050	103 101 050	mk 2.0" baccara 24Vac/dc + fc	€ 93,60



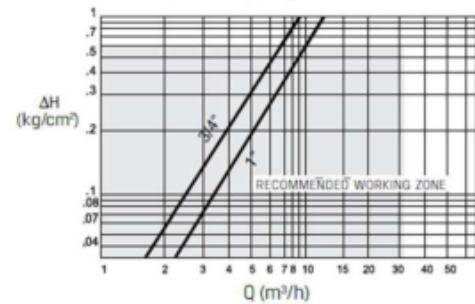


Baccara magneetafsluiter met / zonder flow control recht model

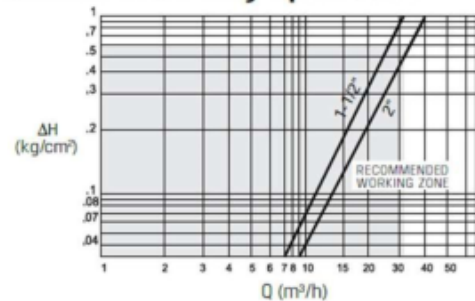
Technical Data

Function	2 Way NC
Ports size	3/4", 1", 1-1/2", 2" BSPT & NPT
Pressure range	0.3 to 10bar
Temperature range	(Fluid : 5°C to 50°C (no freezing) Ambient : -10°C to 50°C
Materials in contact with media	Manual override: Reinforced Nylon Main Valve: Reinforced Nylon Solenoid Operator: Stainless Steel AISI 300 & 400 series Diaphragm: NR Seals: NBR Spring: Stainless Steel AISI 300 series
Solenoid	• G75, 2W NC solenoids, all voltages. • AC, DC and Latch
Coil voltage	• Voltage and power consumption - see table • All Baccara coil voltages are ± 10% of nominal

Head loss for fully open valve



Head loss for fully open valve



Voltage & Power Consumption

	AC (W)	DC (W)
	50 Hz	
V	2	4.5
12	•	•
24	•	•
110	• 2W only	

• Available options

Voltage & Current table

Solenoid	Voltage	Inrush [A]	Holding [A]
2W 50 Hz	V +10% n-20%	0.3	0.19
2W 60 Hz		0.2	0.14
3W 50/60 Hz		0.125	0.125
DC		4.5W	

Pletterij 35K, 2211 JT
Noordwijkerhout
Telefoon: +31 297 308 889

BTW nummer NL860488330B01
Bankrek. Iban NL59ABNA0864177348
KvK 76047199 Bic ABNANL2A

PSI International

www.psbvinternation.nl
info@psbvinternation.nl